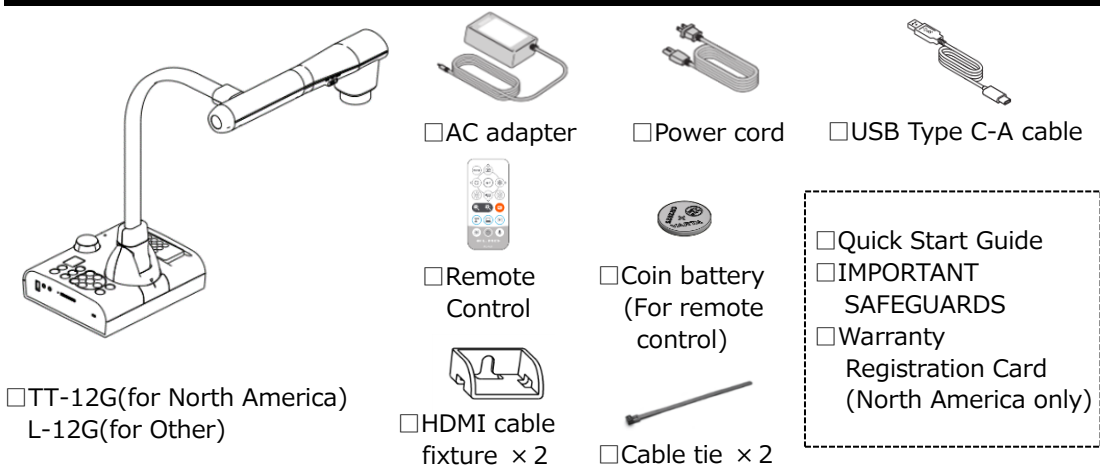
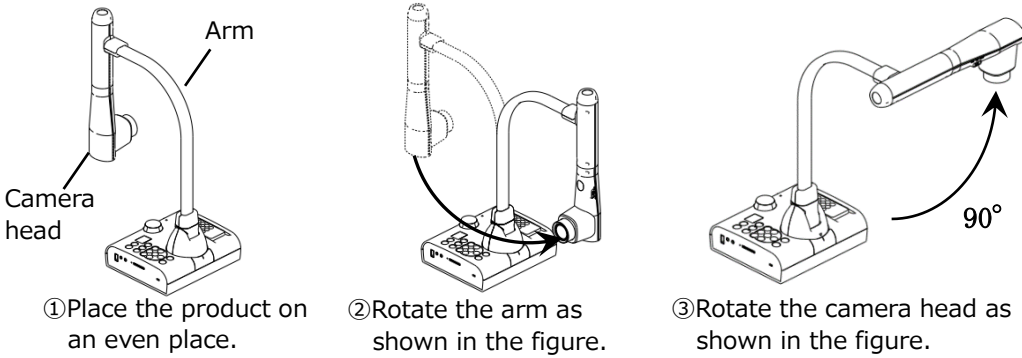


● Package contents



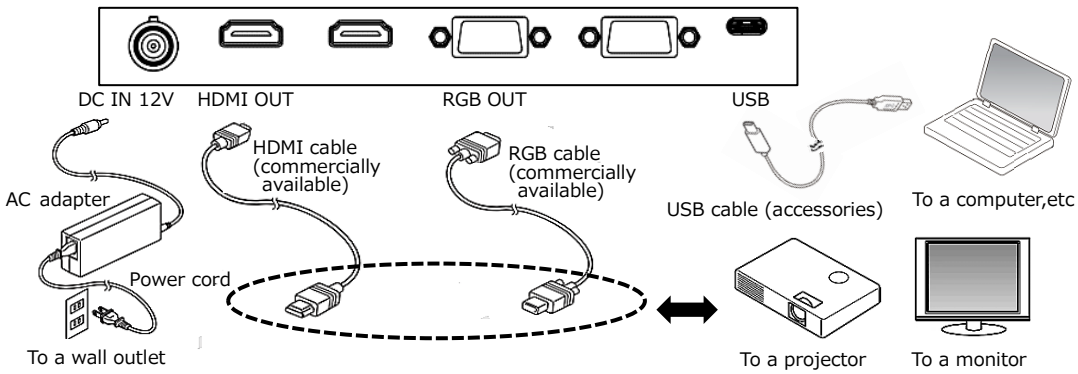
● Preparation

● Setting up



Caution Hold the arm when rotating the arm. Do not hold the camera head.

● Connecting to a projector or a display monitor



● Using the product

1. Turn on the power.
 Connect the AC adapter
 - Turns red
 - Flashing red
 - Turns red
2. The camera image is displayed.
3. Place an object to be displayed under the camera.
 - Zooming**
 - Zoom dial
 - or
 - Zoom button on the remote control
 - Focusing**
 - AF button
 - or
 - AF button on the remote control

● Detailed usage of the product

For detailed information about the Instruction Manual and tutorial videos, refer to the following website:

<https://www.elmoussa.com/>

<https://www.elmoeurope.com/index.php/en/>



Manufacturer : TECHNO HORIZON CO., LTD.
 2-13-1, Chikamatori, Minami-ku, Nagoya-shi, Aichi-ken Japan

EU Importer : ELMO EUROPE SAS
 Tour Voltaire 1 Place des Degrés 92800 Puteaux France

UK Importer : Midwich limited
 Midwich limited, vinces road, Diss, Norfolk IP22 4YT